

Main Block Scheme

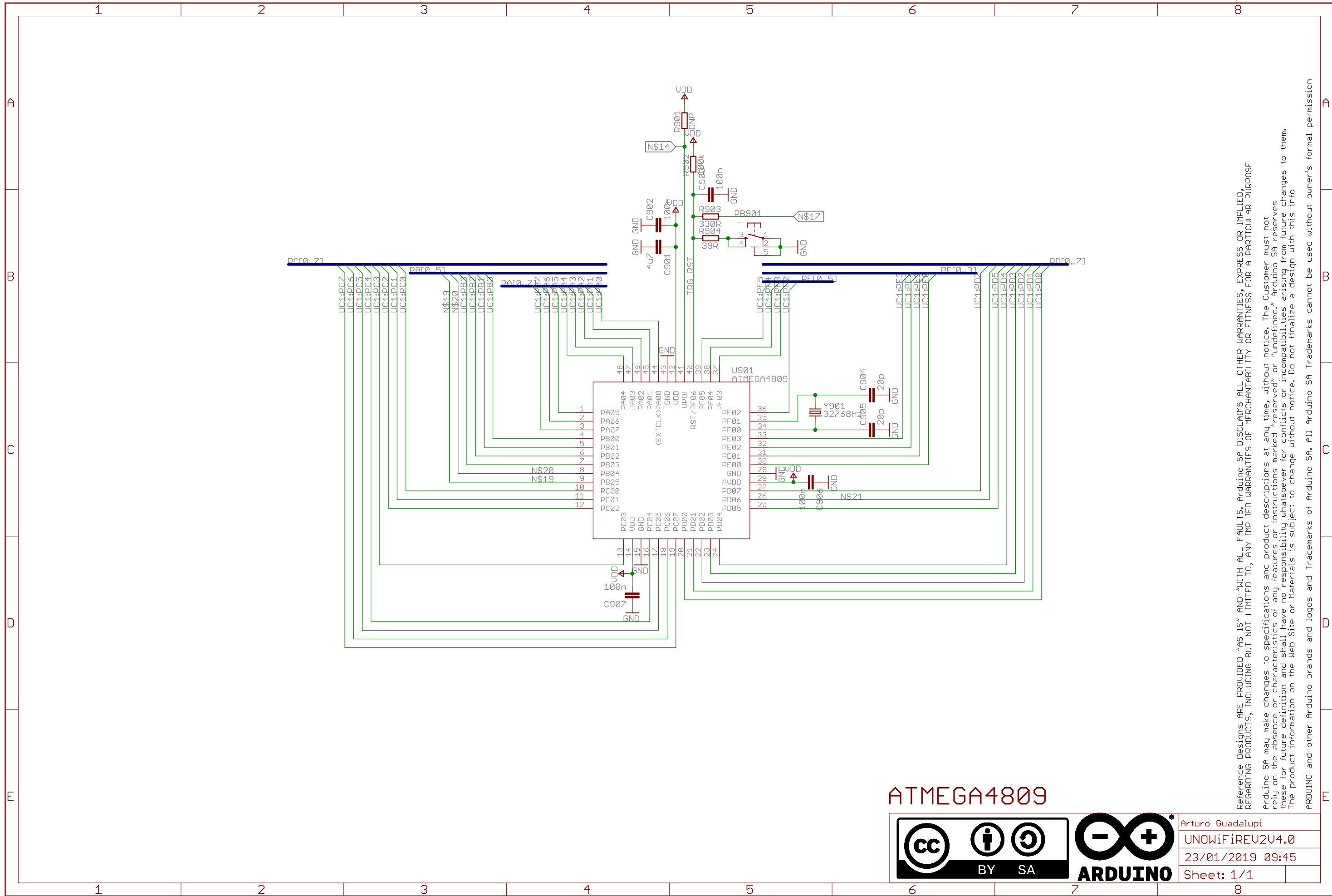



Arturo Guadalupi	
UN0WiFiREV2V4.0	
23/01/2019 09:45	
Sheet: 1/1	

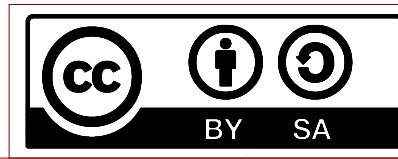
Reference Designs ARE PROVIDED "AS IS" AND "WITH ALL FAULTS. Arduino SA DISCLAIMS ALL OTHER WARRANTIES, EXPRESS OR IMPLIED, REGARDING PRODUCTS, INCLUDING BUT NOT LIMITED TO, ANY IMPLIED WARRANTIES OF MERCHANTABILITY OR FITNESS FOR A PARTICULAR PURPOSE

Arduino SA may make changes to specifications and product descriptions at any time, without notice. The Customer must not rely on the absence or characteristics of any features or instructions marked "reserved" or "undefined." Arduino SA reserves these for future definition and shall have no responsibility whatsoever for conflicts or incompatibilities arising from future changes to them. The product information on the web Site or Materials is subject to change without notice. Do not finalize a design with this info

ARDUINO and other Arduino brands and Logos and Trademarks of Arduino SA. All Arduino SA Trademarks cannot be used without owner's formal permission



ATMEGA4809

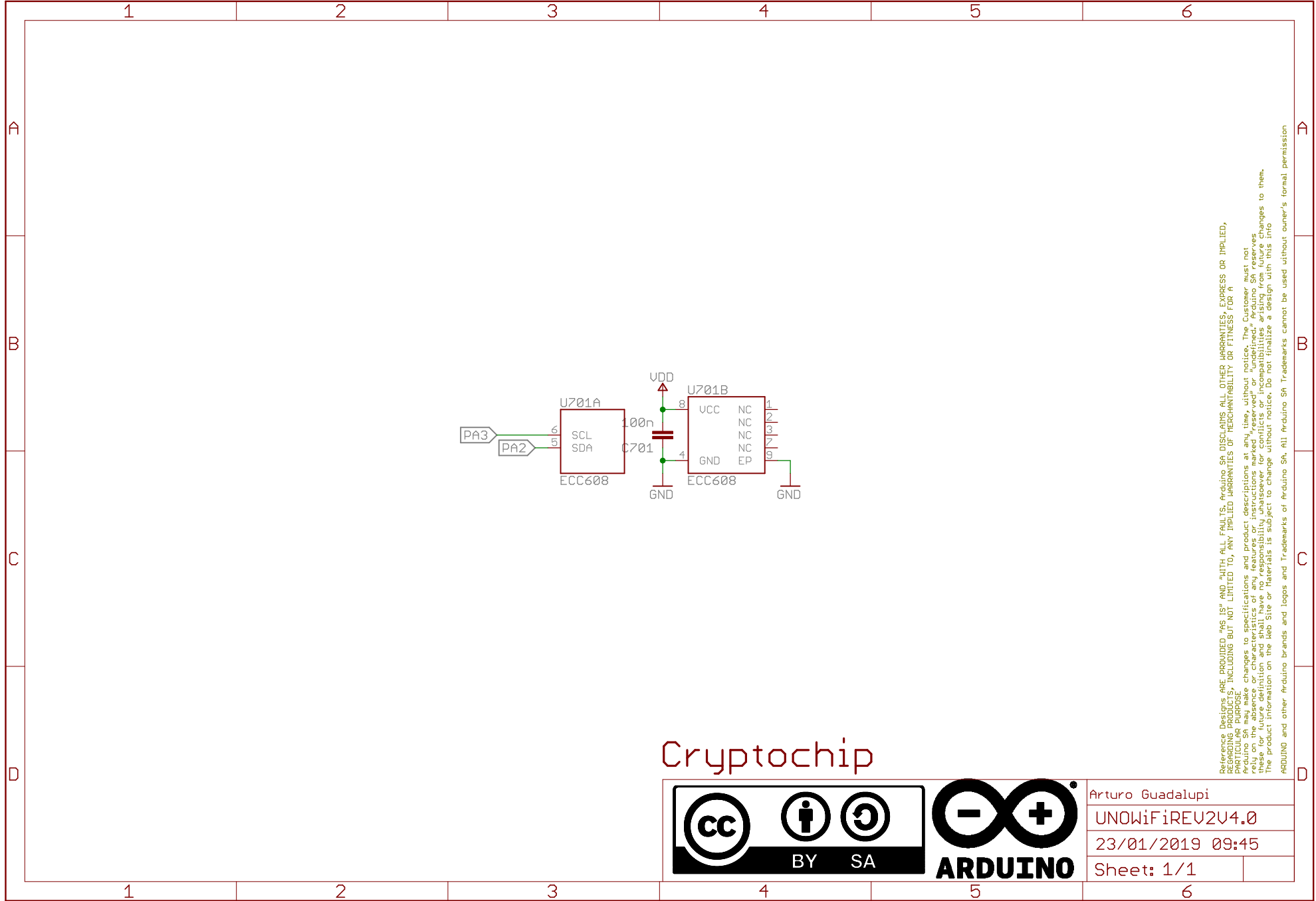


Arturo Guadalupi
 UNOWiFiREV2V4.0
 23/01/2019 09:45
 Sheet: 1/1

Reference Designs ARE PROVIDED "AS IS" AND "WITH ALL FAULTS. ARDUINO SA DISCLAIMS ALL OTHER WARRANTIES, EXPRESS OR IMPLIED, REGARDING PRODUCTS, INCLUDING BUT NOT LIMITED TO, ANY IMPLIED WARRANTIES OF MERCHANTABILITY OR FITNESS FOR A PARTICULAR PURPOSE

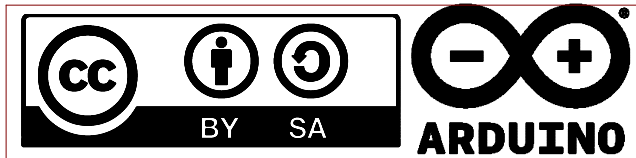
Arduino SA may make changes to specifications and product descriptions at any time, without notice. The Customer must not rely on the absence or characteristics of any features or instructions marked "reserved" or "undefined." Arduino SA reserves these for future definition and shall have no responsibility whatsoever for conflicts or incompatibilities arising from future changes to them. The product information on the Web Site or Materials is subject to change without notice. Do not finalize a design with this info

ARDUINO and other Arduino brands and logos and Trademarks of Arduino SA. All Arduino SA Trademarks cannot be used without owner's formal permission

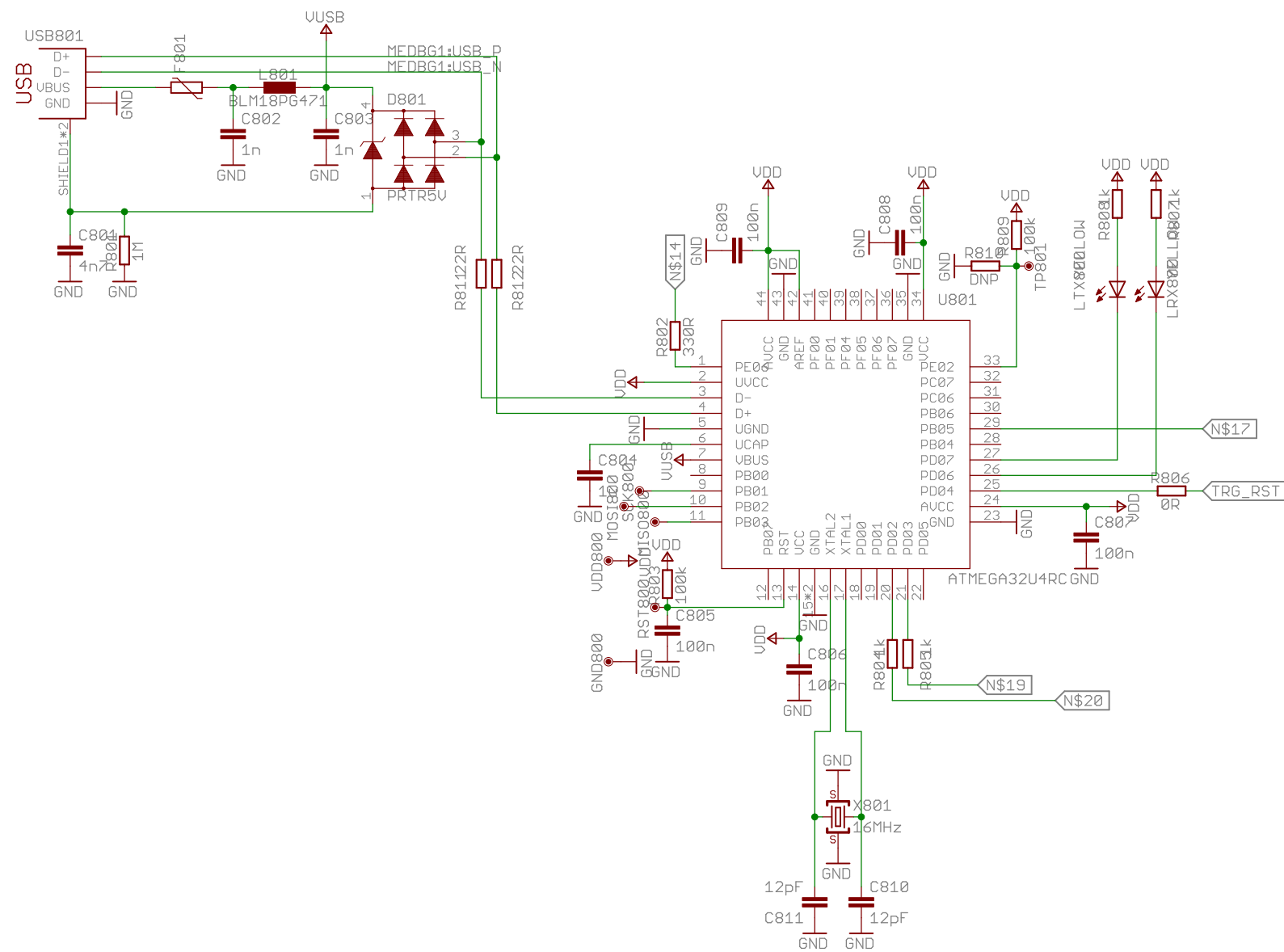


Reference Designs ARE PROVIDED "AS IS" AND "WITH ALL FAULTS". Arduino SA DISCLAIMS ALL OTHER WARRANTIES, EXPRESS OR IMPLIED, REGARDING PRODUCTS, INCLUDING BUT NOT LIMITED TO, ANY IMPLIED WARRANTIES OF MERCHANTABILITY OR FITNESS FOR A PARTICULAR PURPOSE. Arduino SA may make changes to specifications and product descriptions at any time, without notice. The Customer must not rely on the absence or characteristics of any features or instructions marked "reserved" or "undefined". Arduino SA reserves the right to change specifications or instructions without notice, and is not responsible for any consequences arising from the use of the product information on the Web Site or Materials is subject to change without notice. Do not finalize a design with this info. ARDUINO and other Arduino brands and logos and Trademarks of Arduino SA. All Arduino SA Trademarks cannot be used without owner's formal permission.

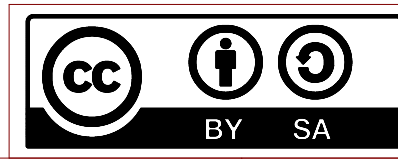
Cryptochip



Arturo Guadalupi	
UNOWiFiREV2V4.0	
23/01/2019 09:45	
Sheet: 1/1	



mEDBG

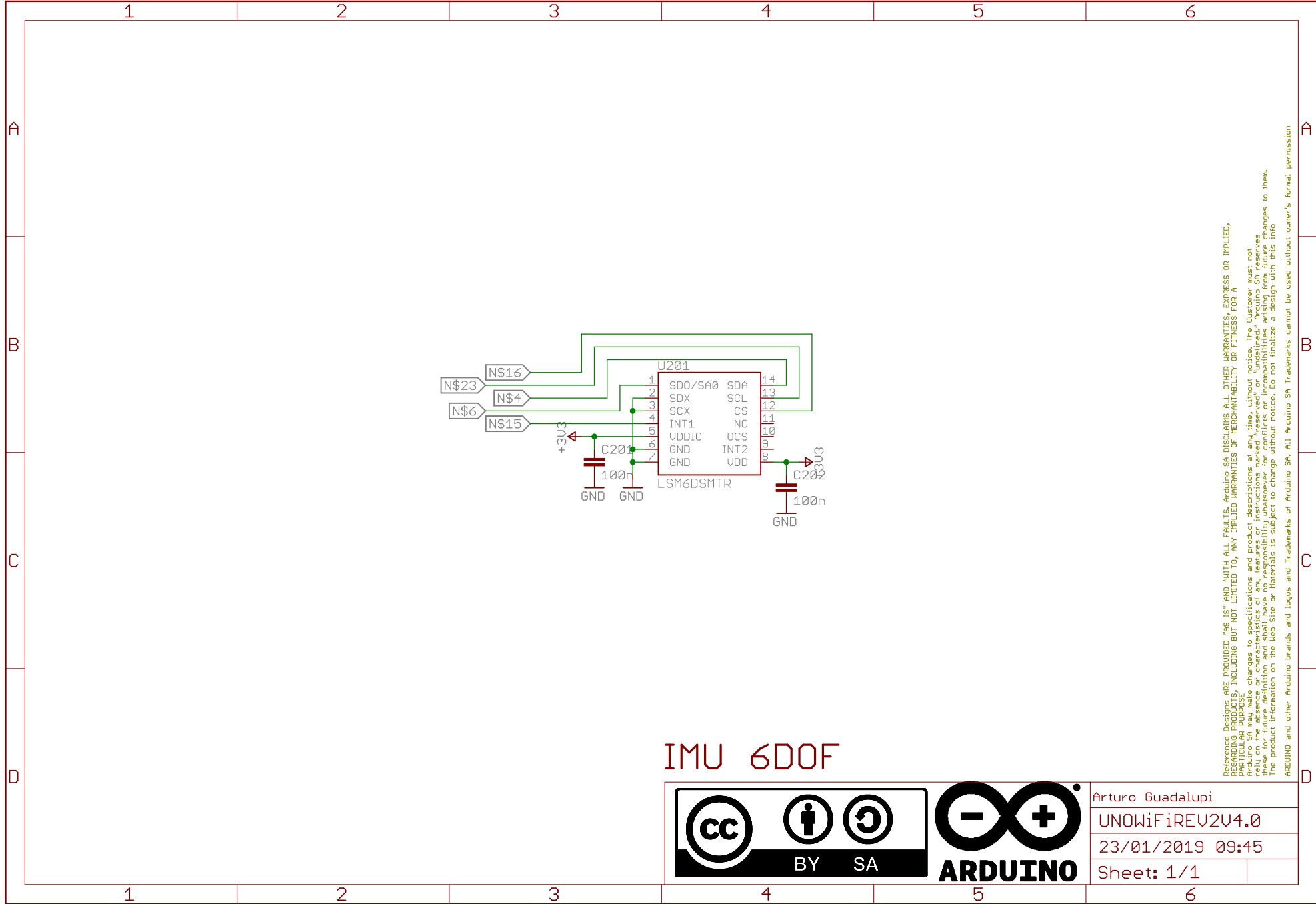


Arturo Guadalupi
 UNOWiFiREV2V4.0
 23/01/2019 09:45
 Sheet: 1/1

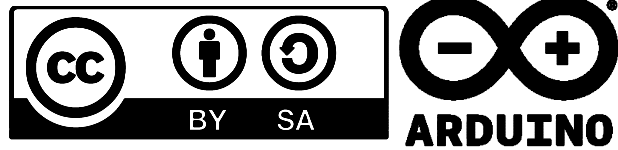
Reference Designs ARE PROVIDED "AS IS" AND "WITH ALL FAULTS. Arduino SA DISCLAIMS ALL OTHER WARRANTIES, EXPRESS OR IMPLIED, REGARDING PRODUCTS, INCLUDING BUT NOT LIMITED TO, ANY IMPLIED WARRANTIES OF MERCHANTABILITY OR FITNESS FOR A PARTICULAR PURPOSE

Arduino SA may make changes to specifications and product descriptions at any time, without notice. The Customer must not rely on the absence or characteristics of any features or instructions marked "reserved" or "undefined." Arduino SA reserves these for future definition and shall have no responsibility whatsoever for conflicts or incompatibilities arising from future changes to them. The product information on the Web Site or Materials is subject to change without notice. Do not finalize a design with this info

ARDUINO and other Arduino brands and logos and Trademarks of Arduino SA. All Arduino SA Trademarks cannot be used without owner's formal permission



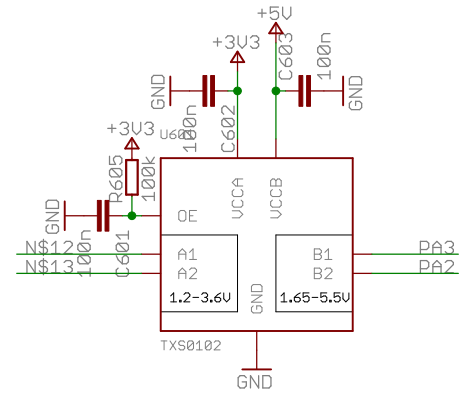
IMU 6DOF



Arturo Guadalupi
 UNOWiFiREV2V4.0
 23/01/2019 09:45
 Sheet: 1/1

Reference Designs ARE PROVIDED "AS IS" AND "WITH ALL FAULTS. Arduino SA DISCLAIMS ALL OTHER WARRANTIES, EXPRESS OR IMPLIED, REGARDING PRODUCTS, INCLUDING BUT NOT LIMITED TO, ANY IMPLIED WARRANTIES OF MERCHANTABILITY OR FITNESS FOR A PARTICULAR PURPOSE. Arduino SA may make changes to specifications and product descriptions at any time, without notice. The Customer must not rely on the absence or characteristics of any features or instructions marked "reserved" or "undefined." Arduino SA reserves the right to change specifications and product descriptions without notice. The product information on the Web Site or Materials is subject to change without notice. Do not finalize a design with this info.

ARDUINO and other Arduino brands and logos and Trademarks of Arduino SA. All Arduino SA Trademarks cannot be used without owner's formal permission.



2 Bits Level Shifter



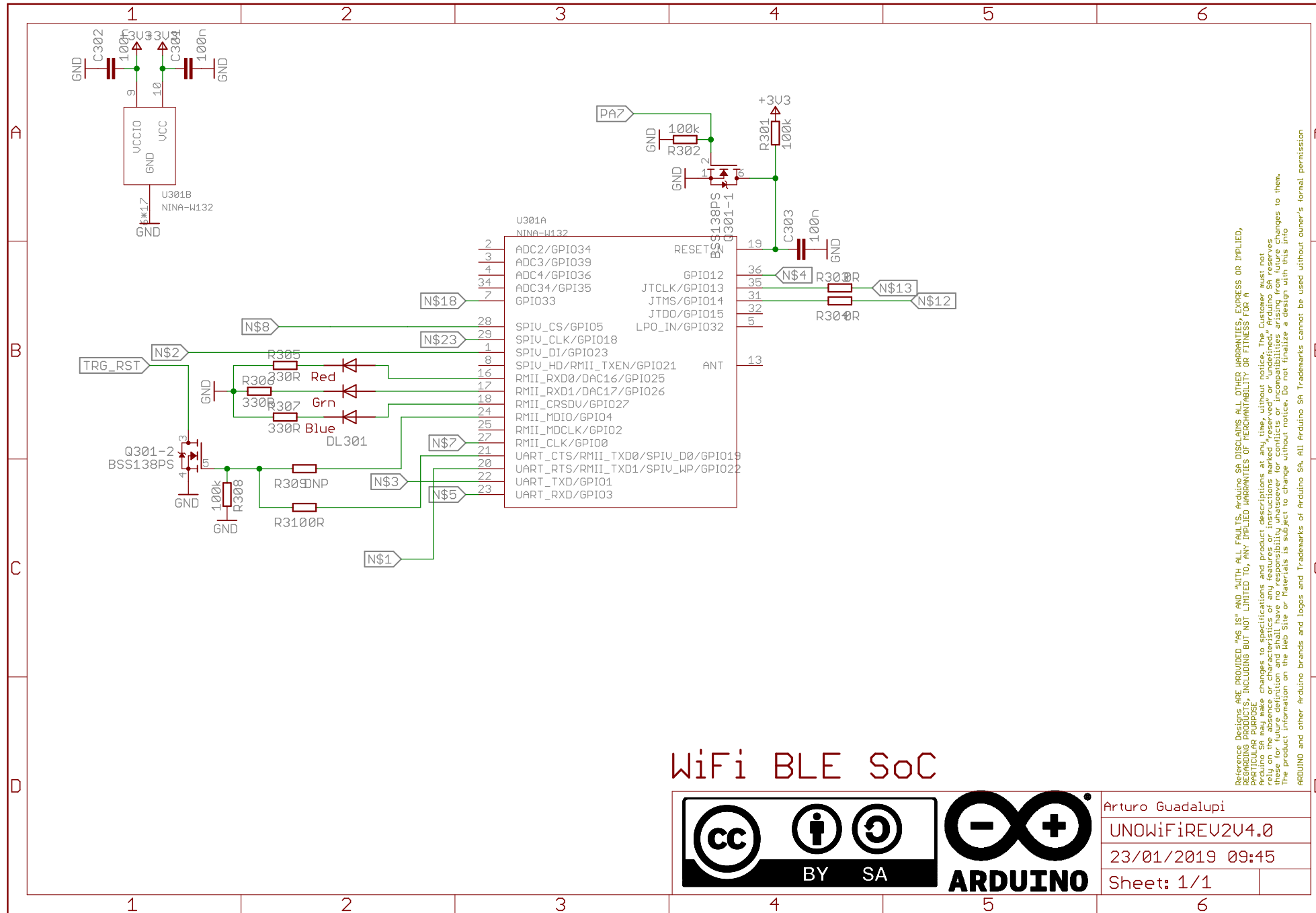
Arturo Guadalupi

UNOWiFiREV2V4.0

23/01/2019 09:45

Sheet: 1/1

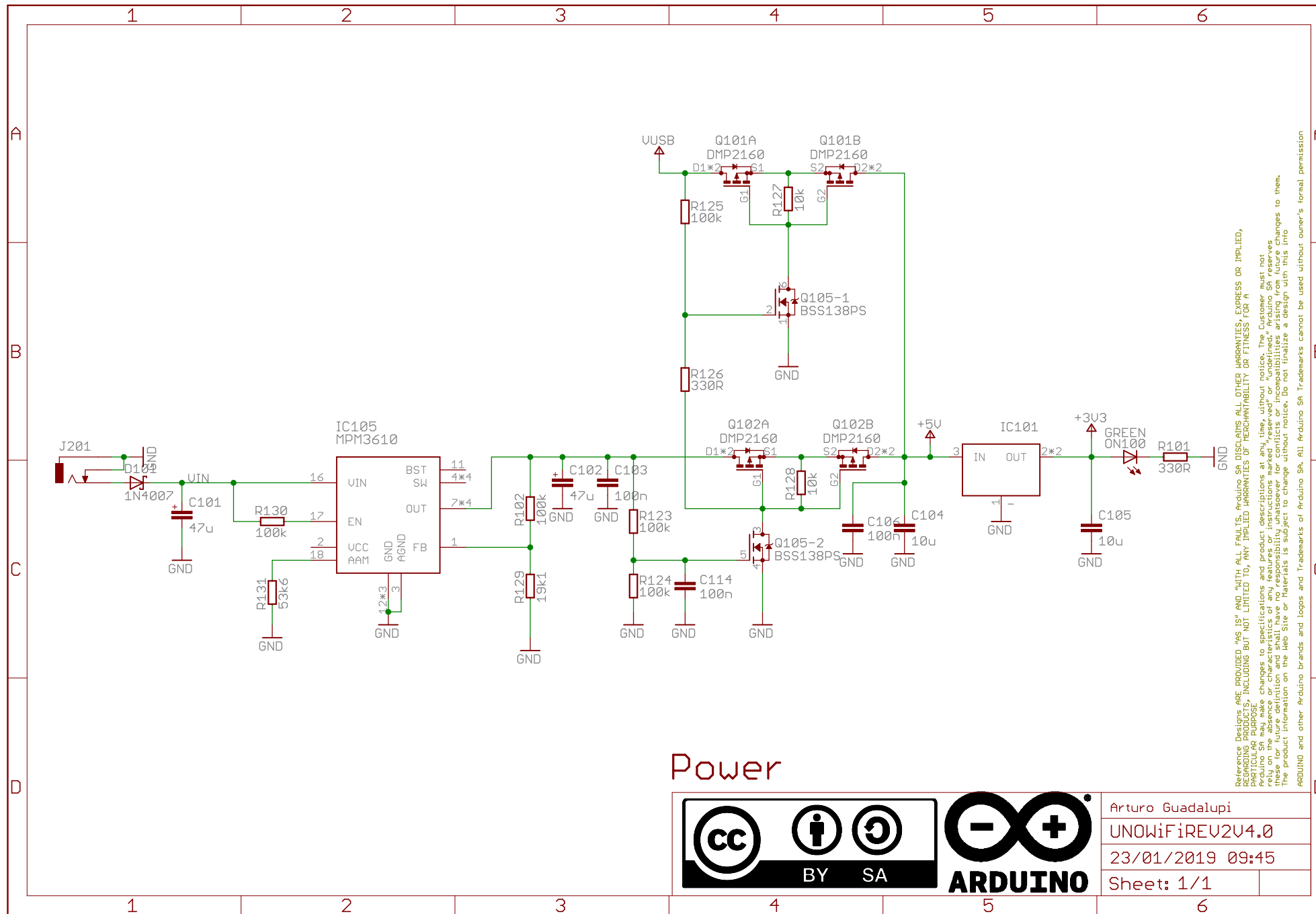
Reference Designs ARE PROVIDED "AS IS" AND "WITH ALL FAULTS. Arduino SA DISCLAIMS ALL OTHER WARRANTIES, EXPRESS OR IMPLIED, REGARDING PRODUCTS, INCLUDING BUT NOT LIMITED TO, ANY IMPLIED WARRANTIES OF MERCHANTABILITY OR FITNESS FOR A PARTICULAR PURPOSE. Arduino SA may make changes to specifications and product descriptions at any time, without notice. The Customer must not rely on the absence or characteristics of any features or instructions marked "reserved" or "undefined." Arduino SA reserves the right to change specifications and product descriptions without notice. The product information on the Web Site or Materials is subject to change without notice. Do not finalize a design with this info. ARDUINO and other Arduino brands and logos and Trademarks of Arduino SA. All Arduino SA Trademarks cannot be used without owner's formal permission.



WiFi BLE SoC

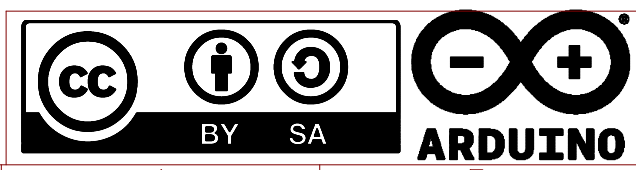


Arturo Guadalupi
 UNOWiFiREV2V4.0
 23/01/2019 09:45
 Sheet: 1/1

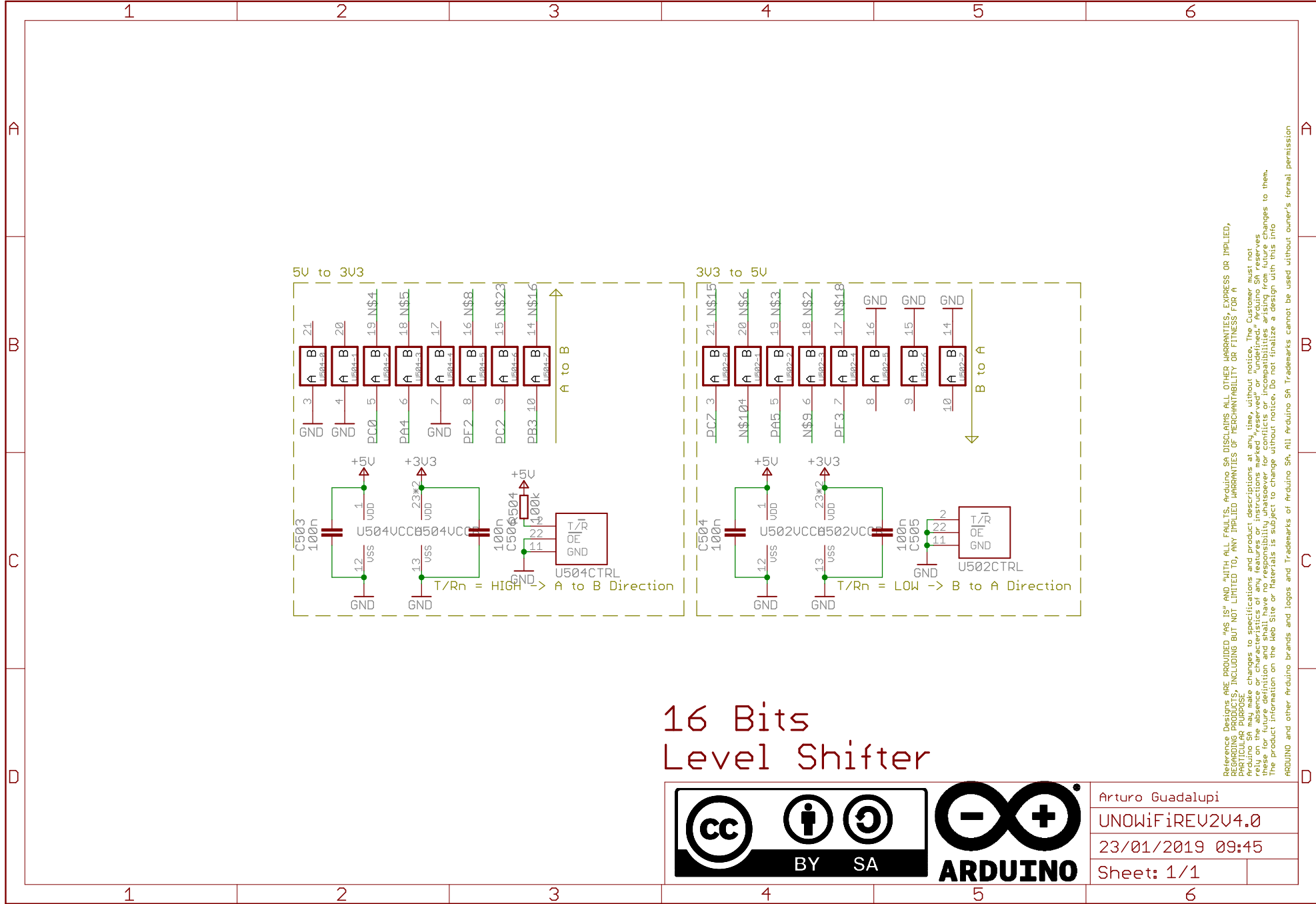


Reference Designs ARE PROVIDED "AS IS" AND "WITH ALL FAULTS." ARDUINO SA DISCLAIMS ALL OTHER WARRANTIES, EXPRESS OR IMPLIED, REGARDING PRODUCTS, INCLUDING BUT NOT LIMITED TO, ANY IMPLIED WARRANTIES OF MERCHANTABILITY OR FITNESS FOR A PARTICULAR PURPOSE. ARDUINO SA MAY MAKE CHANGES TO SPECIFICATIONS AND PRODUCT DESCRIPTIONS AT ANY TIME, WITHOUT NOTICE. THE CUSTOMER MUST NOT RELY ON THE ABSENCE OF CHARACTERISTICS OR INSTRUCTIONS MARKED "RESERVE" OR "UNDEFINED." ARDUINO SA RESERVES THE RIGHT TO MAKE CHANGES TO THE PRODUCT INFORMATION ON THE ARDUINO WEBSITE OR MATERIALS IS SUBJECT TO CHANGE WITHOUT NOTICE. DO NOT FINALIZE A DESIGN WITH THIS INFO. ARDUINO AND OTHER ARDUINO BRANDS AND LOGOS AND TRADEMARKS OF ARDUINO SA. ALL ARDUINO SA TRADEMARKS CANNOT BE USED WITHOUT OWNER'S FORMAL PERMISSION.

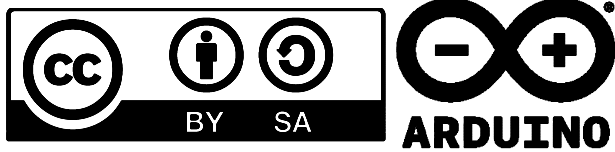
Power



Arturo Guadalupi
UNOWiFiREV2V4.0
23/01/2019 09:45
Sheet: 1/1

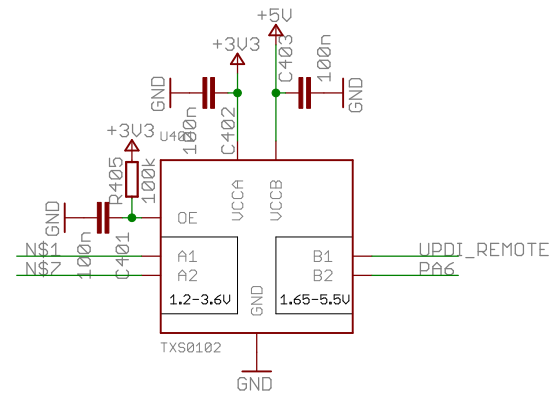


16 Bits Level Shifter



Arturo Guadalupi
 UNOWiFiREV2V4.0
 23/01/2019 09:45
 Sheet: 1/1

Reference Designs ARE PROVIDED "AS IS" AND "WITH ALL FAULTS. Arduino SA DISCLAIMS ALL OTHER WARRANTIES, EXPRESS OR IMPLIED, REGARDING PRODUCTS, INCLUDING BUT NOT LIMITED TO, ANY IMPLIED WARRANTIES OF MERCHANTABILITY OR FITNESS FOR A PARTICULAR PURPOSE. Arduino SA may make changes to specifications and product descriptions at any time, without notice. The Customer must not rely on the absence or characteristics of any features or instructions marked "reserved" or "undefined". Arduino SA reserves the right to change specifications and instructions without notice. The product information on the Web Site or Materials is subject to change without notice. Do not finalize a design with this info. ARDUINO and other Arduino brands and logos and Trademarks of Arduino SA. All Arduino SA Trademarks cannot be used without owner's formal permission.



2 Bits Level Shifter



Arturo Guadalupi
 UNOWiFiREV2V4.0
 23/01/2019 09:45
 Sheet: 1/1

Reference Designs ARE PROVIDED "AS IS" AND "WITH ALL FAULTS. ARDUINO SA DISCLAIMS ALL OTHER WARRANTIES, EXPRESS OR IMPLIED, REGARDING PRODUCTS, INCLUDING BUT NOT LIMITED TO, ANY IMPLIED WARRANTIES OF MERCHANTABILITY OR FITNESS FOR A PARTICULAR PURPOSE. ARDUINO SA MAY MAKE CHANGES TO SPECIFICATIONS AND PRODUCT DESCRIPTIONS AT ANY TIME, WITHOUT NOTICE. THE CUSTOMER MUST NOT RELY ON THE ABSENCE OF CHARACTERISTICS OR INSTRUCTIONS MARKED "RESERVED" OR "UNDEFINED." ARDUINO SA RESERVES THE RIGHT TO MAKE CHANGES TO THE PRODUCT INFORMATION ON THE KIB SITE OR MATERIALS IS SUBJECT TO CHANGE WITHOUT NOTICE. DO NOT FINALIZE A DESIGN WITH THIS INFO. ARDUINO AND OTHER ARDUINO BRANDS AND LOGOS AND TRADEMARKS OF ARDUINO SA. ALL ARDUINO SA TRADEMARKS CANNOT BE USED WITHOUT OWNER'S FORMAL PERMISSION.